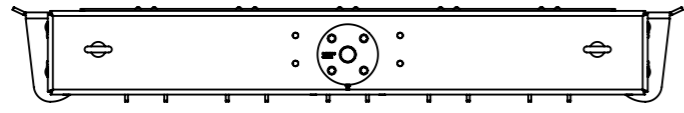
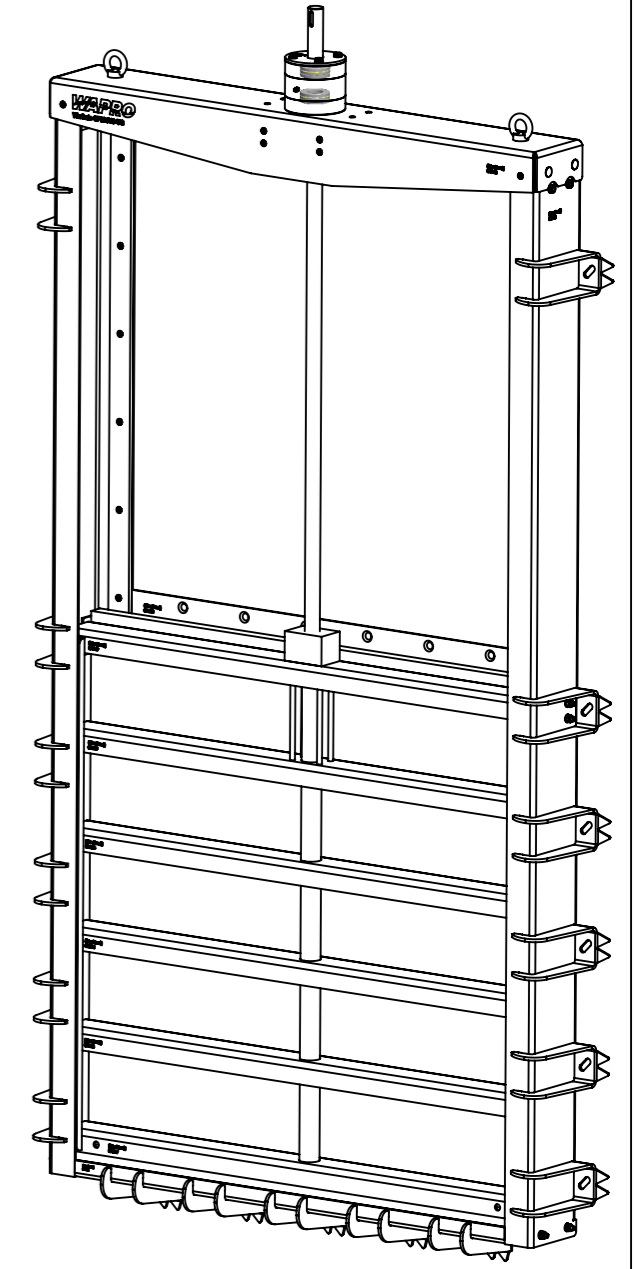
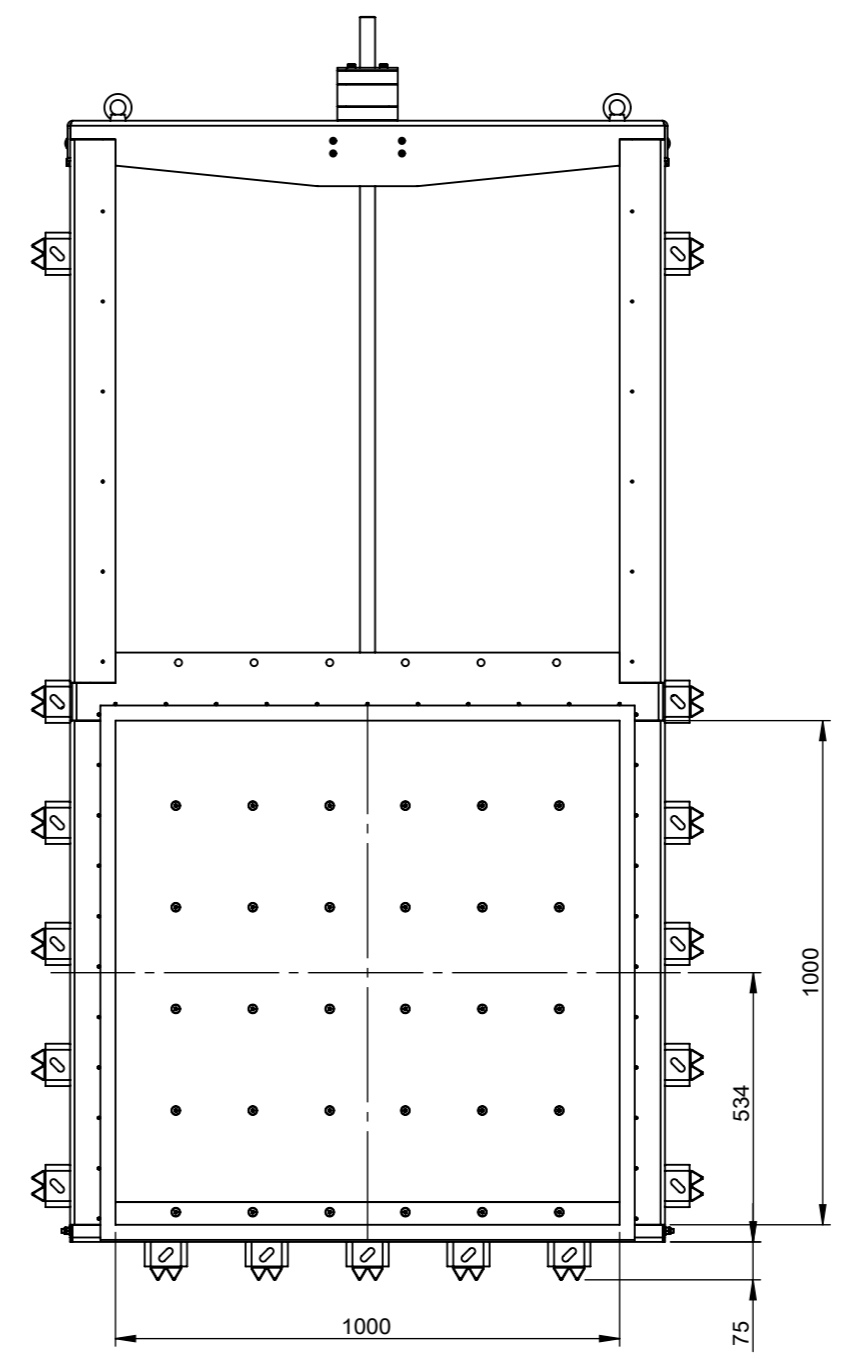
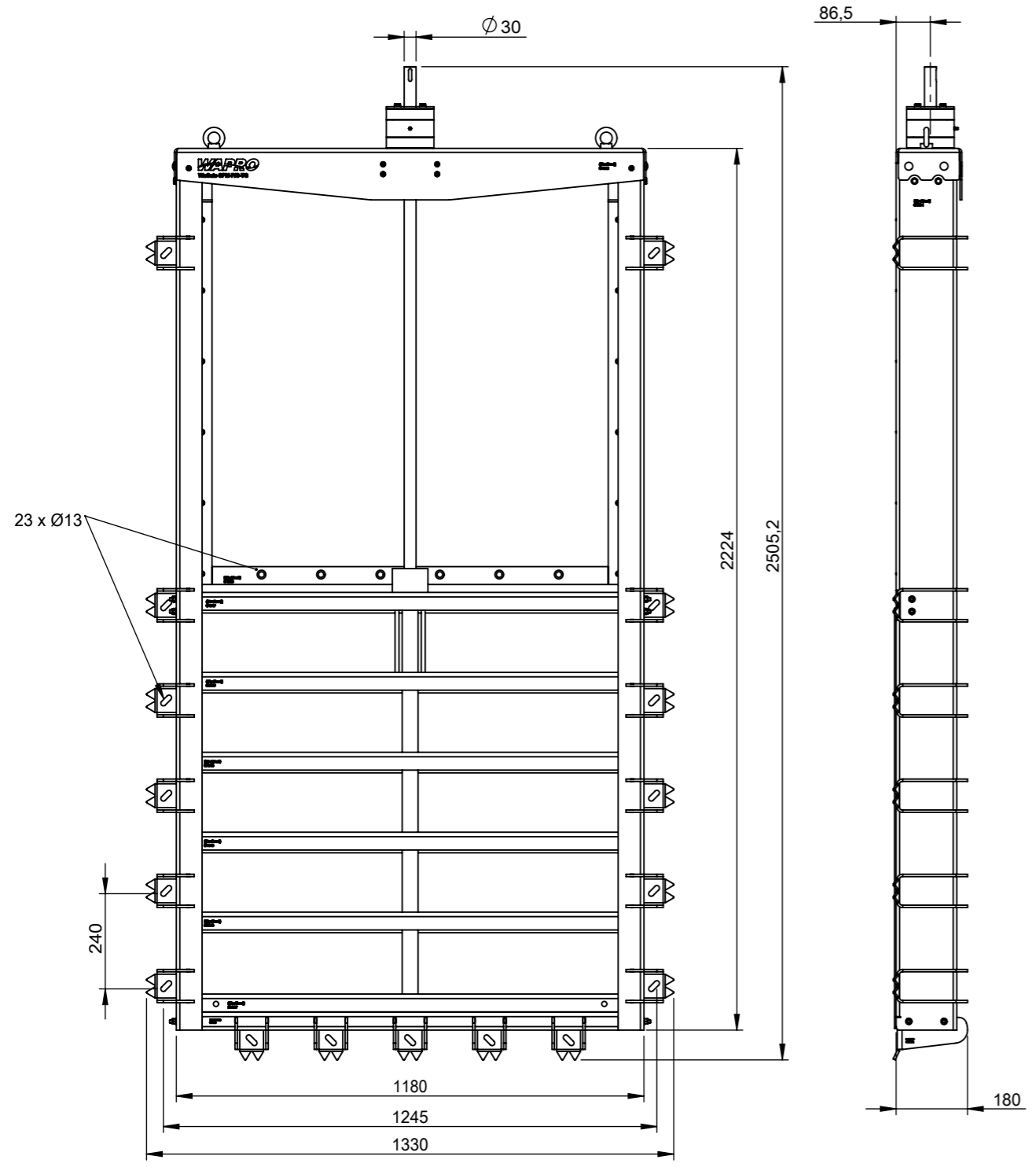


FOR CUSTOMER APPROVAL

Rev	Note	CreatedBy	Appr.By	Appr.Date
A	Initial release	DW	DW	2025-05-05



© 2022 Wapro AB. This document is subject to copyrights owned by Wapro AB. Any amendments, republication, retransmission, and/or reproduction of all or any part of the document is expressly prohibited, unless the copyright owner of the material has expressly granted its prior written consent. All other rights are reserved.

Designed By RI	Approved By	Created Date 2025-05-08	Units [mm]	General Tolerance	Scale 1:15	
Material			Comments		Project	
Weight [kg] 196.86	Box Volume [m³]		Description WaGate Spjæld SPM-P-TG 1000X1000 AISI 316			
 www.wapro.com			WaGate Sluice gate SPM-P-TG 1000X1000 AISI 316			
			Article Number V815761000	Drawing Number SPM-P_1000_EN	Rev A	Sheet 1(1)