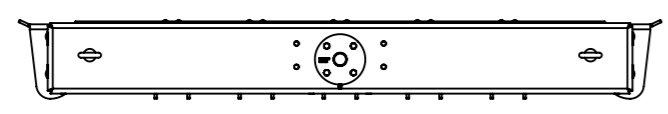
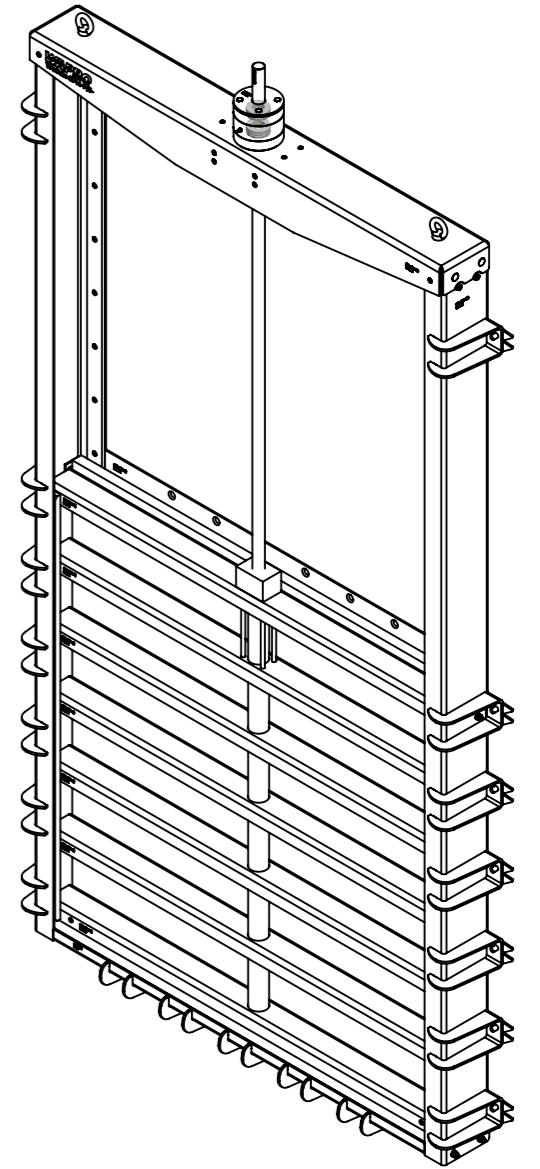
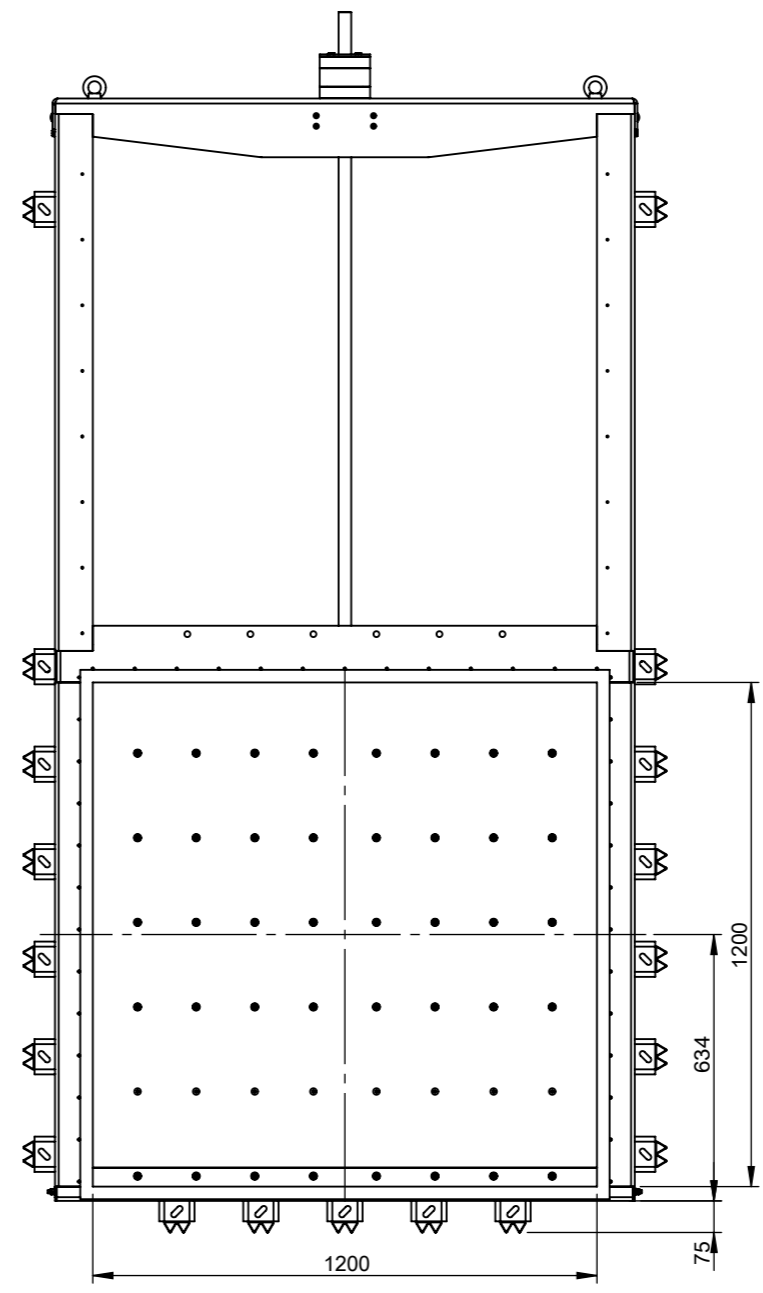
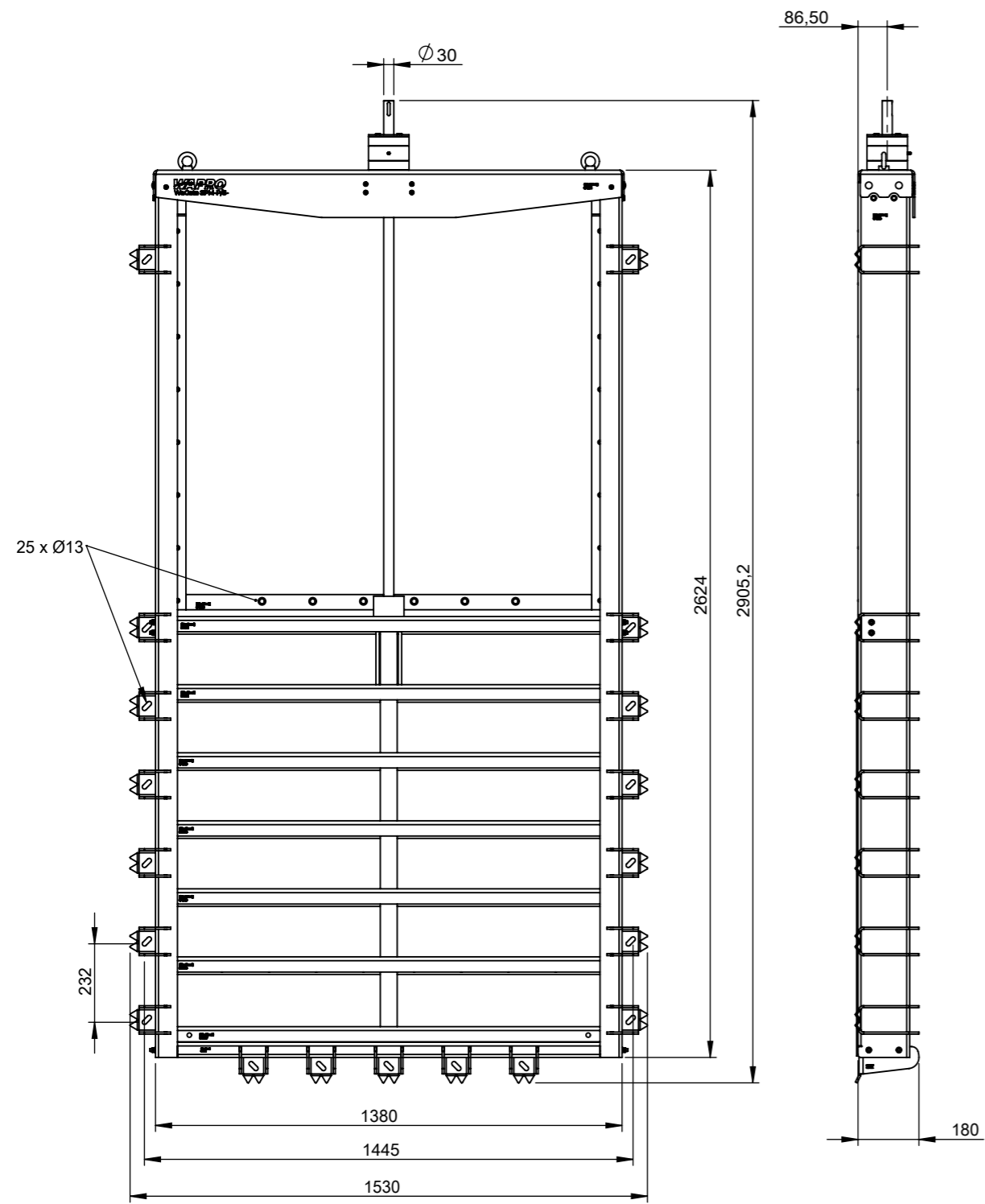


FOR CUSTOMER APPROVAL

| Rev | Note | CreatedBy | Appr.By | Appr.Date |
|-----|-----------------|-----------|---------|------------|
| A | Initial release | DW | DW | 2025-05-12 |



© 2022 Wapro AB. This document is subject to copyrights owned by Wapro AB. Any amendments, republication, retransmission, and/or reproduction of all or any part of the document is expressly prohibited, unless the copyright owner of the material has expressly granted its prior written consent. All other rights are reserved.

| | | | | | | |
|---------------|-------------|------------------------------|----------------|---|---------|-------|
| Designed By | Approved By | Created Date | Units | General Tolerance | Scale | |
| BL | | 2025-05-13 | [mm] | | 1:18 | |
| Material | | | Comments | | Project | |
| Weight [kg] | | Box Volume [m ³] | | Description | | |
| 251.14 | | | | WaGate Spjæld SPM-P-TG 1200X1200 AISI 316 WaGate Sluice gate SPM-P-TG 1200X1200 AISI 316 | | |
| www.wapro.com | | | Article Number | Drawing Number | Rev | Sheet |
| | | | V815761200 | SPM-P_1200_EN | A | 1 (1) |