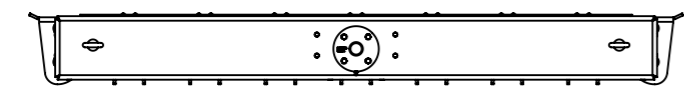
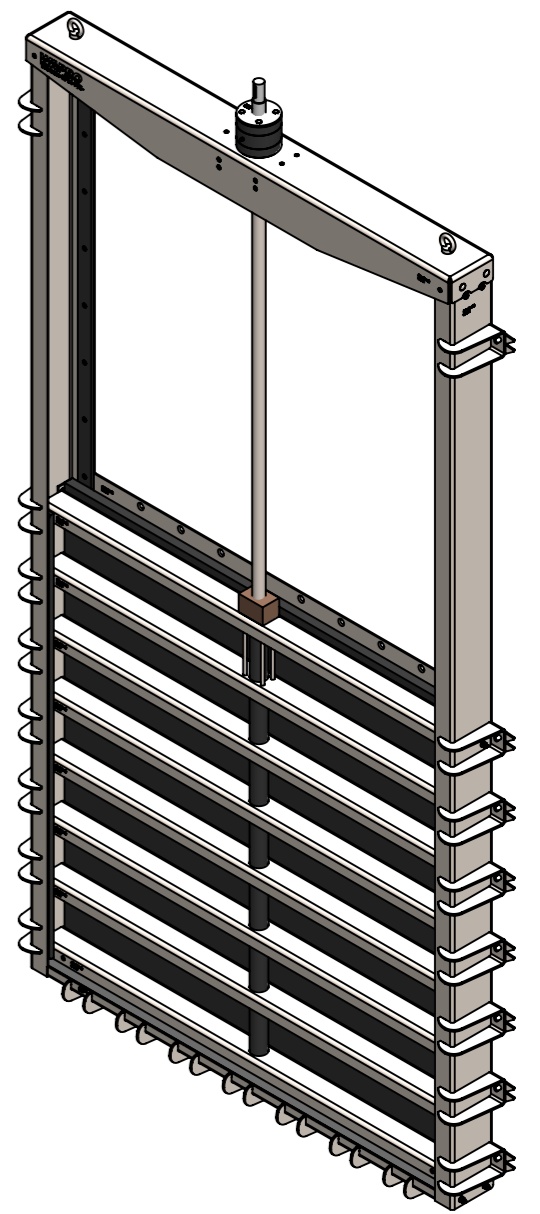
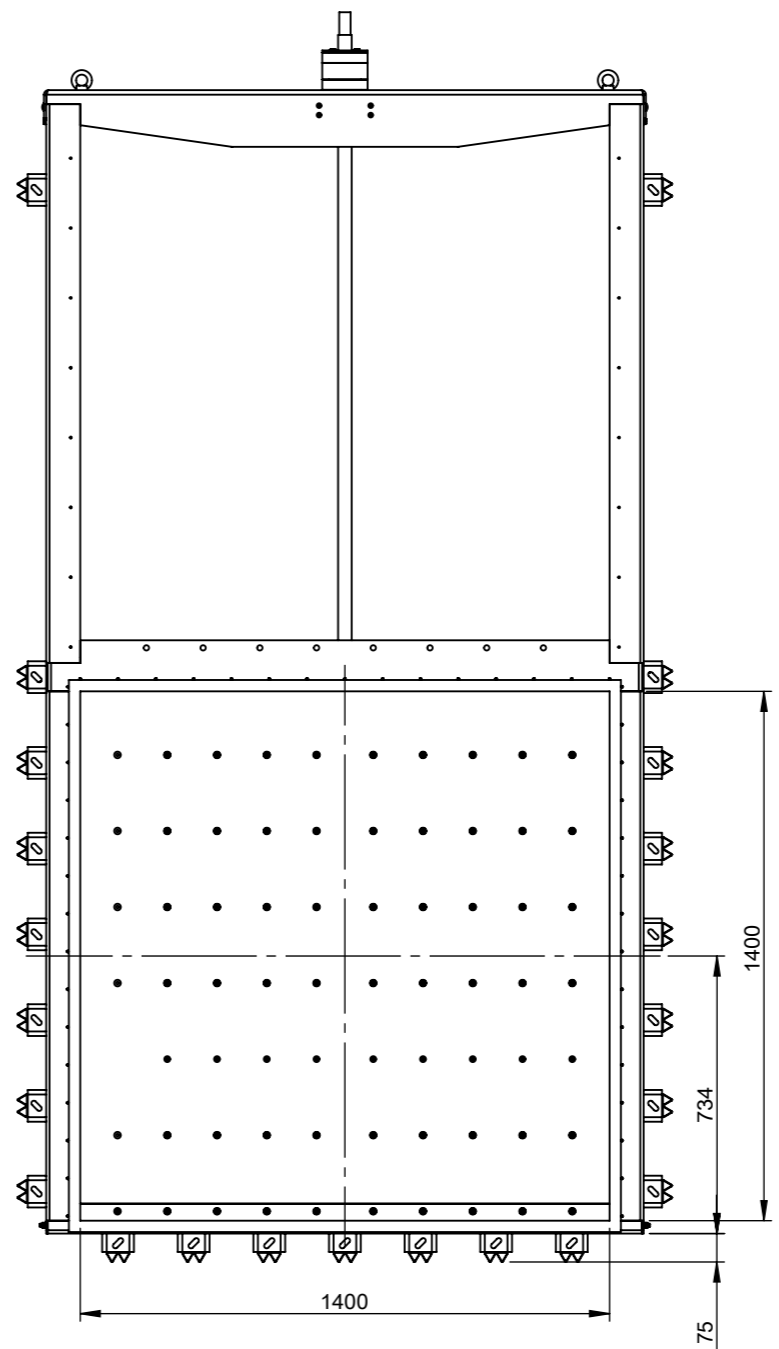
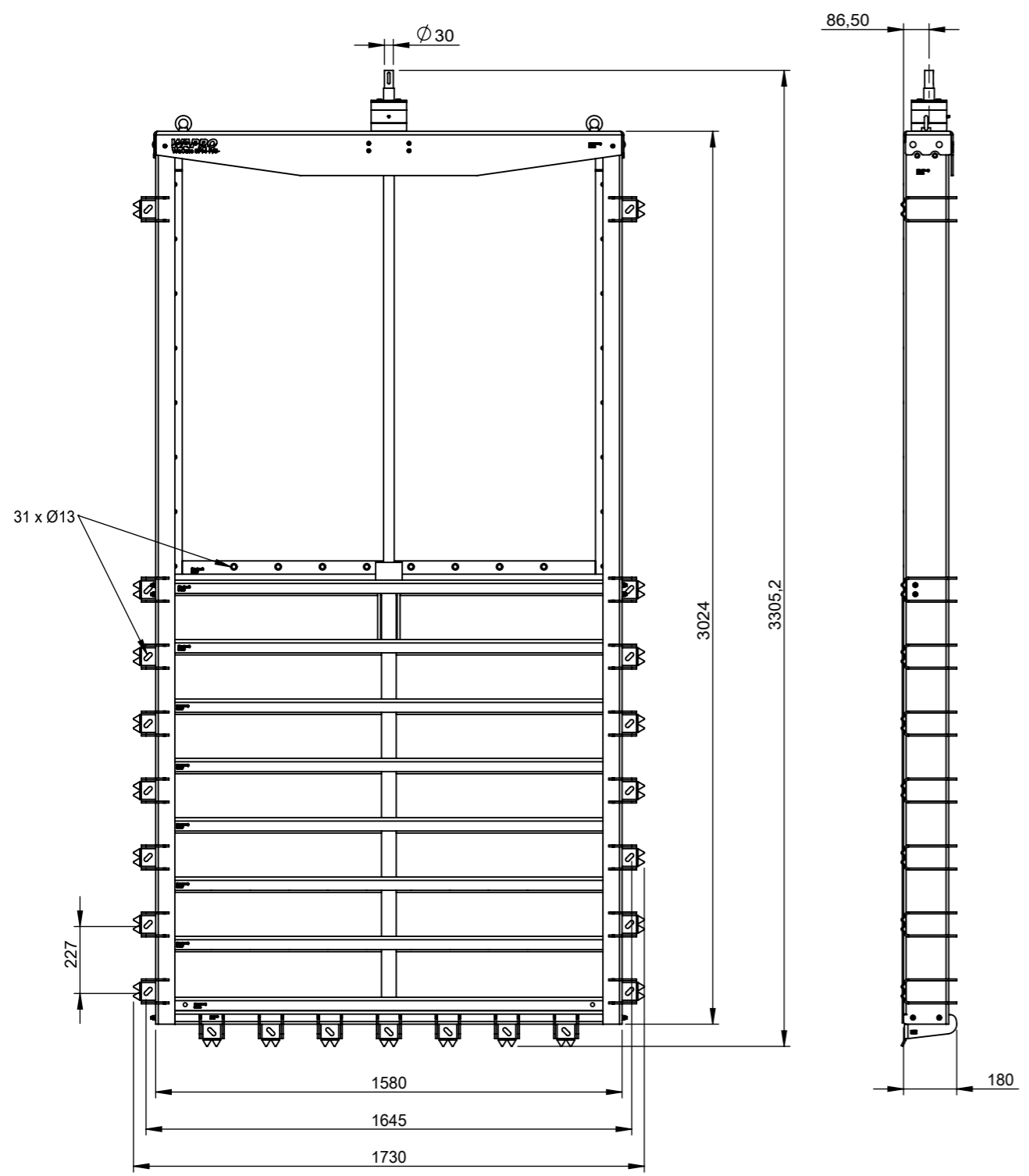


FOR CUSTOMER APPROVAL

Rev	Note	CreatedBy	Appr.By	Appr.Date
A	Initial release	DW	DW	2025-05-12



© 2022 Wapro AB. This document is subject to copyrights owned by Wapro AB. Any amendments, republication, retransmission, and/or reproduction of all or any part of the document is expressly prohibited, unless the copyright owner of the material has expressly granted its prior written consent. All other rights are reserved.

Designed By BL	Approved By	Created Date 2025-05-13	Units [mm]	General Tolerance	Scale 1:20	
Material			Comments		Project	
Weight [kg] 313.15	Box Volume [m³]		Description WaGate Spjæld SPM-P-TG 1400X1400 AISI 316			
 www.wapro.com			WaGate Sluice gate SPM-P-TG 1400X1400 AISI 316			
			Article Number V815761400	Drawing Number SPM-P_1400_EN	Rev A	Sheet 1(1)