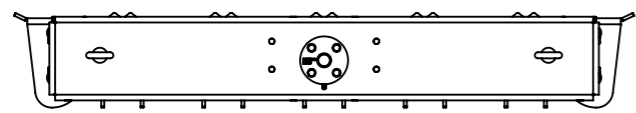
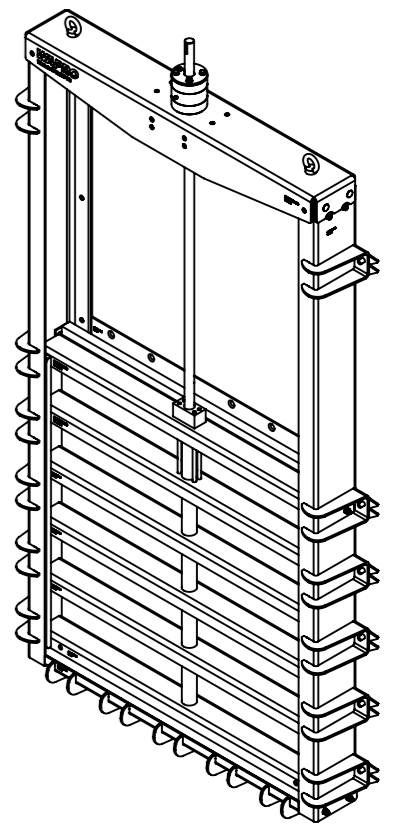
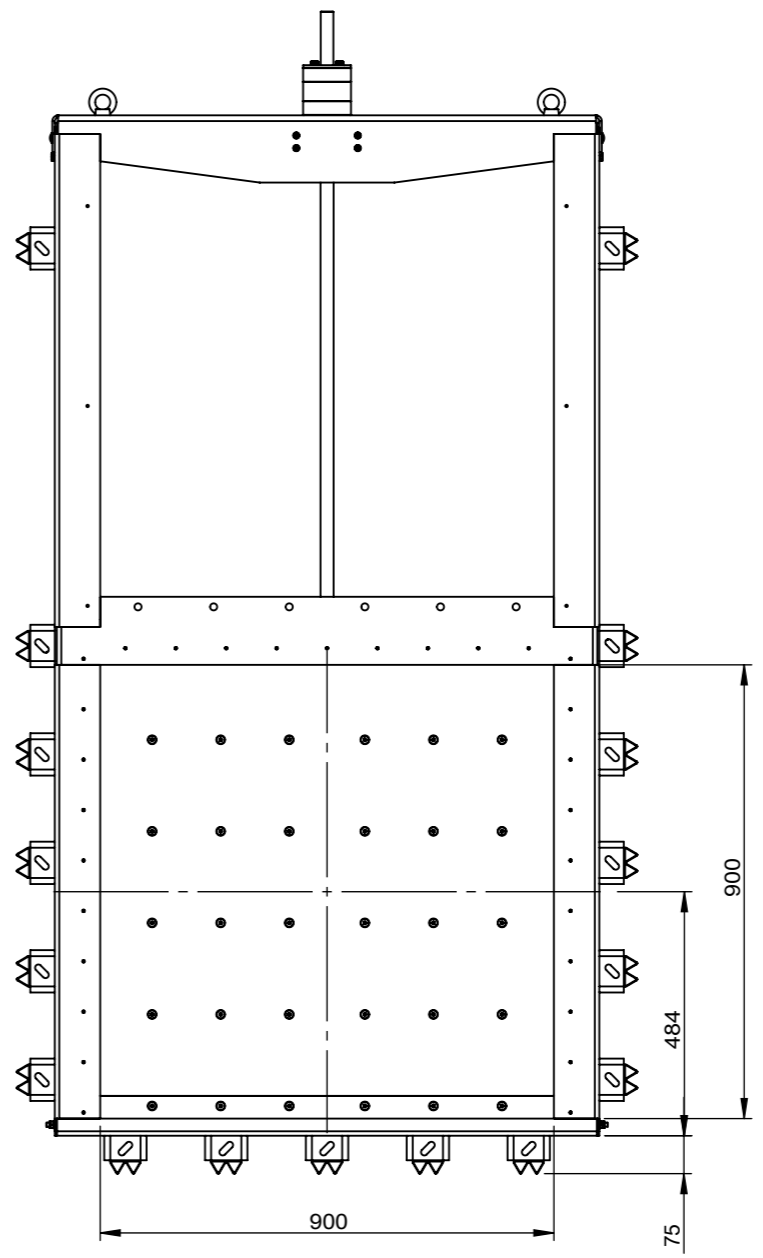
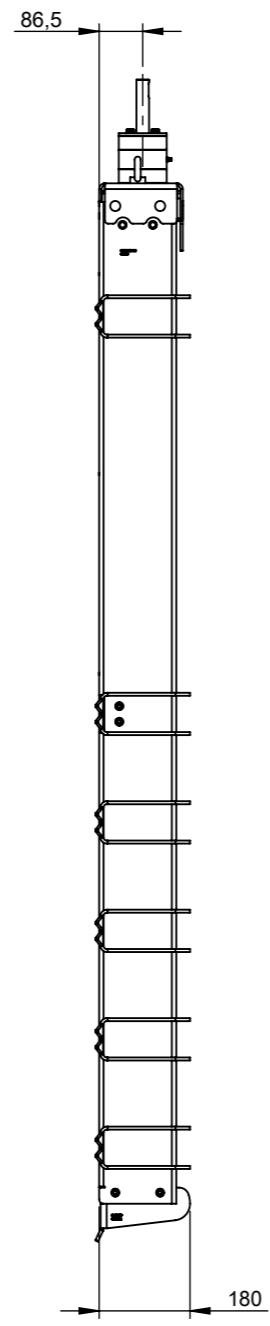
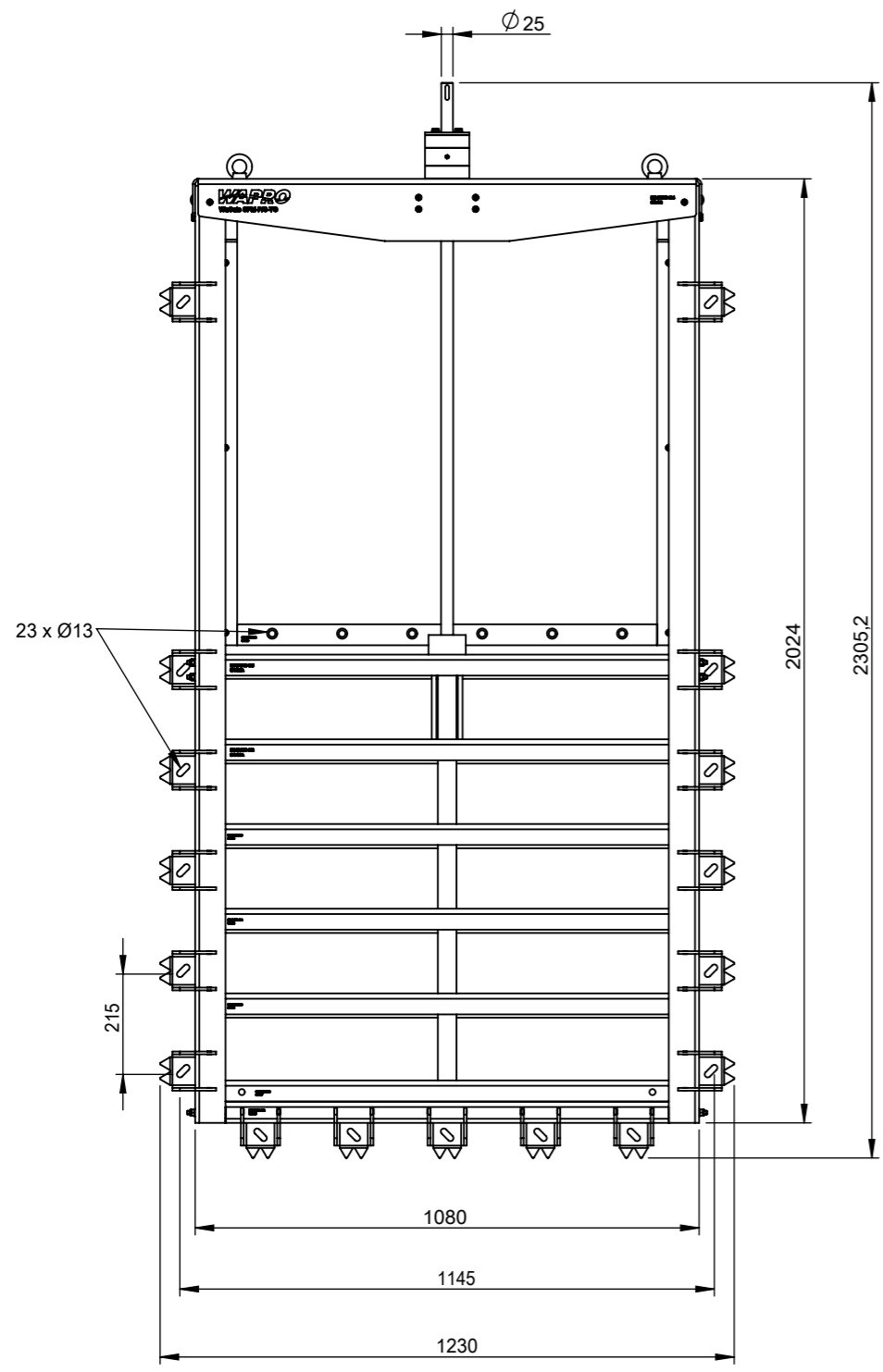


NOT FOR PRODUCTION

Rev	Note	CreatedBy	Appr. By	Appr. Date
	Initial release	DW		



© 2022 Wapro AB. This document is subject to copyrights owned by Wapro AB. Any amendments, republication, retransmission, and/or reproduction of all or any part of the document is expressly prohibited, unless the copyright owner of the material has expressly granted its prior written consent. All other rights are reserved.

Designed By BL	Approved By	Created Date 2025-05-12	Units [mm]	General Tolerance ISO 2768-1 m	Scale 1:15	
Material			Comments		Project	
Weight [kg] 174.31	Box Volume [m ³]		Description WaGate Spjæld SPM-P-TG 900X900 AISI 316			
 www.wapro.com			WaGate Sluice gate SPM-P-TG 900X900 AISI 316			
			Article Number V81576900	Drawing Number SPM-P_900_EN	Rev	Sheet 1 (1)